



General Description

200W 2:2 Hybrid Combiner(380-3800MHz, -160dBc, IP65, 4.3/10-female)

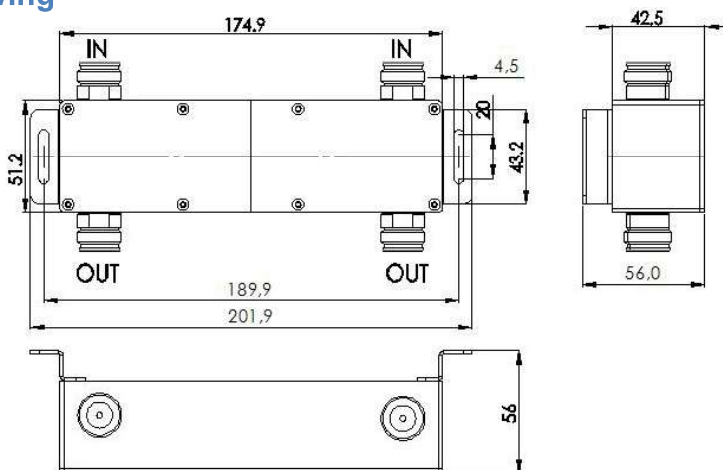
Features & Benefits

- Guaranteed PIM Compliance
- Wide Frequency Band Covering 380-3800MHz
- Low Insertion Loss
- Low VSWR
- Indoor/Outdoor Using IP65

Electrical & Mechanical Specifications

Model No.	BRHC-A38-22-4F-160
Coupling Value(dB)	3.1±0.9
Isolation(dB)	≥25@380-2700MHz ≥23@2701-3800MHz
Freq(MHz)	380-3800
Return Loss(dB)	≥19.4
VSWR	≤ 1.25
PIM Rating(dBc)	-160dBc@2x43dBm
Power Rating(W)	200W (average Per Port)
Impedance	50 ohm
Connector	4.3/10-female
Color	Black
Operating Temperature(°C)	-30~+65
Dimension(mm)	174.9*51.2*42.5
Weight(kg)	1.0

Mechanical Drawing



Dimensions in mm